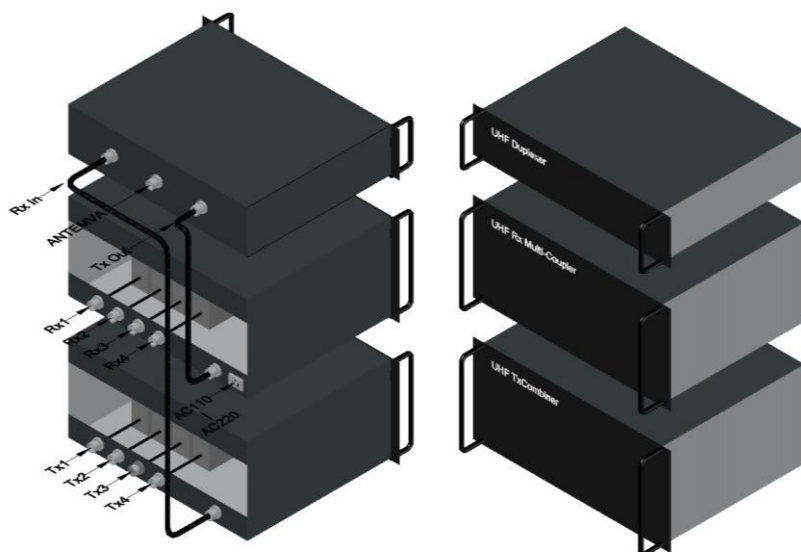


# UHF 4 CHANNEL MODEL: AC450MD-4NS

## Tx COMBINER / Rx MULTI-COUPLER / Tx/Rx DUPLEXER



### Tx 4ch' combiner Specification

Frequency Range (MHz)	UHF BAND
Insertion Loss(dB)	≤ 6.5
VSWR	1.2
Tx,-Rx Isolation (dB)	≥70
Tx.-Tx Isolation (dB)	≥75
Input Power	50W
Connector Type	N-F
Operation Temperature	-0°C~+65°C
Dimension	19" 5U

### Rx 4ch' Multi-Coupler Specification

Frequency Range (MHz)	UHF BAND
Insertion Loss(dB)	≤ 7.5
VSWR	1.2
Rx Gain	0 – 10dB Adjustable
Tx.Rx Isolation	≥ 80
AC Power	110-220V 50/60Hz
Connector Type	N-F
Operation Temperature	-0°C~+65°C
Dimension	19" 5U

### UHF DUPLEXER

Frequency Range (MHz)	UHF BAND
Insertion Loss(dB)	≤ 1.5
VSWR	1.2
Tx,-Rx Isolation (dB)	≥70
Tx.-ANT Isolation (dB)	≥ 80
Input Power	150W
Connector Type	N-F
Operation Temperature	-0°C~+65°C
Dimension	19" 3U

### Product features

A single stage low noise preamplifier ensures flat gain through all the band

High compression point

Low I.M. generation

Standard models outputs are 4, 8, 16 and 24.

Other outputs number and Input pre selector bandwidth are available upon request

220/110 VAC power supply, optional power supplies available upon request