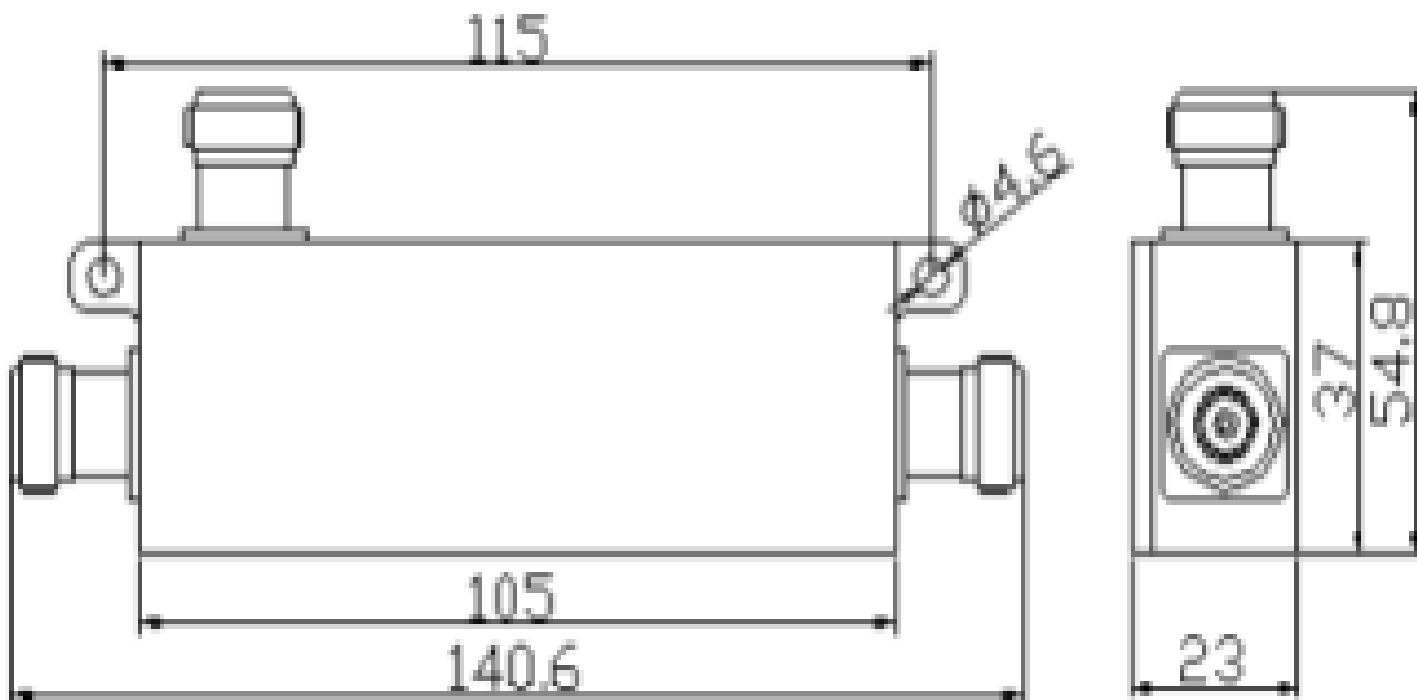


tic-tech DC-K70270 series of directional coupler offers full coupling characteristic in determining the important parameters relating to high isolation, accurate monitoring of forward or reflected power with minimal perturbation to the main signal line and ensuring co-efficient coupling flatness and directivity in a broad multi-bandwidth covering 700-2700MHz .



Model	DC-K70270/CV5	DC-K70270/CV10	DC-K70270/CV15	DC-K70270/CV20
Type	Directional Coupler			
Coupling Value	-5dB	-10dB	-15dB	-20dB
Frequency	700 - 2700 MHz			
VSWR	< 1.25: 1			
Coupling Thru-line Loss	<2.3dB	<0.8dB	<0.4dB	<0.22dB
Insertion Loss	<0.25dB	<0.20dB	<0.20dB	<0.20dB
Isolation	>20dB			
Impedance	50 ohms			
Input Power	200 watt			
Operating Temperature	- 30°C ~ + 60°C			
Connector	N Female or DIN Female			
Dimension (including connectors)	141 x 55 x 23mm			
Approximate Weight	0.30 KG			

